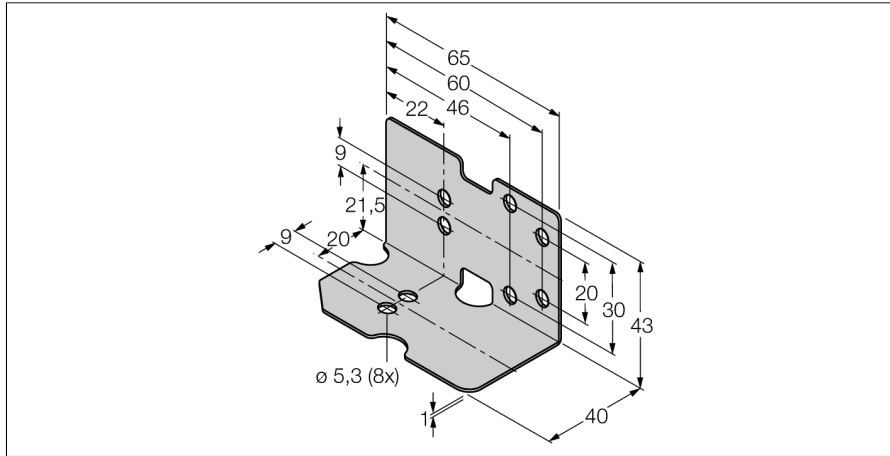


Accessories
protective frame
MF-CK40-2S



■ **Protective frame (L-profile)**

Type designation	MF-CK40-2S
Ident-No.	6900482
Design	Accessories for rectangular types, CK40
Dimensions	65 x 43 x 1 mm
Housing material	Metal, V2A (1.4301)