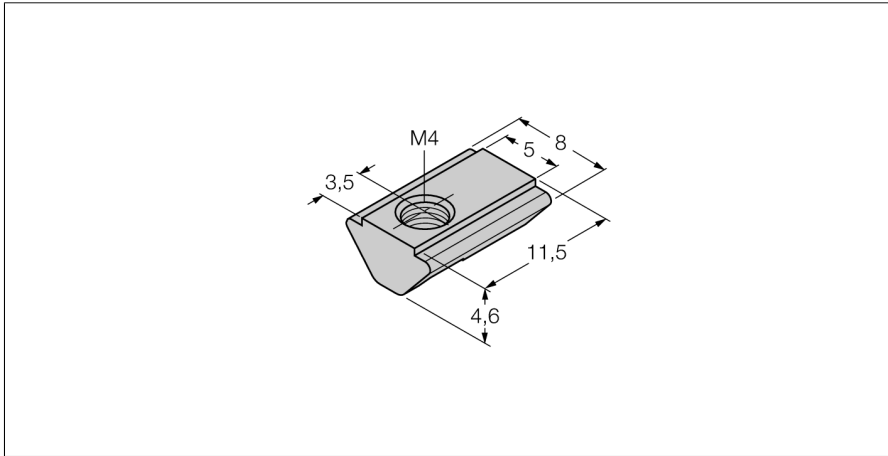


Accessories

Sliding Block

For Linear Position Sensors

MN-M4-Q25



- Sliding block for linear position sensors Q25L
- Material: galvanized steel
- M4 female thread
- Packaging unit: 10 pcs.

Type designation	MN-M4-Q25
Ident-No.	6901025
Design	Accessories for rectangular types
Packaging unit	10 Stück