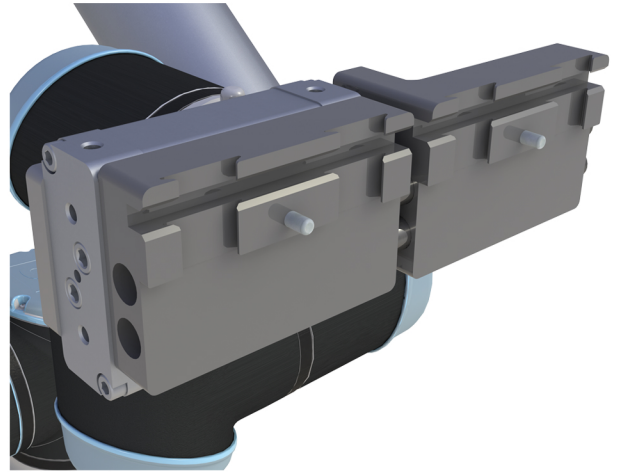


MULTIGRIP GRIPPER

V E R S A **B** U I L T
R O B O T I C S

The MultiGrip Gripper is a pneumatic robot gripper. The MultiGrip Gripper works with the MultiGrip Vise and MultiGrip Jaws to deliver more capability for CNC milling automation. Instead of picking parts directly, the MultiGrip Gripper unloads MultiGrip jaws from a MultiGrip vise and uses the MultiGrip Jaws to pick parts for processing. Using vise jaws as the robot gripper simplifies part integration, increases reliability and enhances the capabilities of a CNC milling automation system.



FEATURES

Eliminates the need to duplicate part workholding for both the robot gripper and CNC vise

Allows machinist to easily create optimal part workholding in the CNC

Supports more complex part shapes than traditional robot part grippers

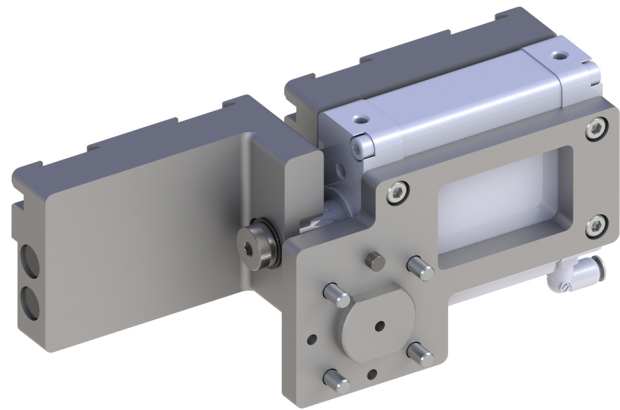
Simplified Op 1 to Op 2 part transfer
Easier new part integration to the automation system

Faster part change-over

Increased automation reliability

200 pounds of clamping force

Lightweight 1.8KG maximize robot part payload



INCLUDES

Mounting plate supports popular robots including Universal Robots

Push-to-connect pneumatic fittings

2-year warranty

Available Now
\$3995

V E R S A **B** U I L T
R O B O T I C S

Contact us for more details
sales@versabuilt.com
(208) 906-0814