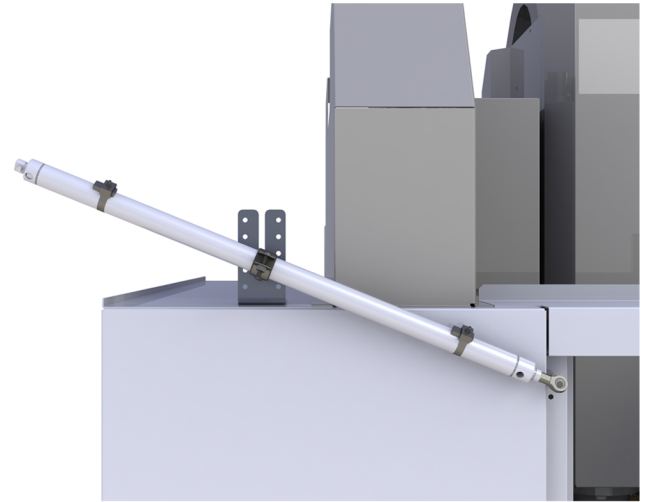


VERSADOOR

V E R S A **B** U I L T
R O B O T I C S

The VersaDoor is a simple, reliable, and cost-effective CNC door opener. The VersaDoor comes with universal mounting brackets that allow it to be installed on almost any CNC machine. The VersaDoor is available in single door versions with 24", 30" or 40" actuators and a double door version using two 24" actuators. When not in use, the CNC door can be manually opened by an operator or the VersaDoor can be disconnected in about five minutes with simple tools.



FEATURES

Fits virtually any CNC machine

Easy to install with basic tools

Control CNC door operation via robot IO or VersaBuilt's Robot2CNC Mill Edition

Models for Single and Double Door CNC's

Included air pressure regulator limits force of door for operator safety

Door "float" allows manual operation

VersaDoor Sensor Kit available for single and double door versions

INCLUDES

Pneumatic Cylinder

Mounting hardware

Pressure Regulator

Speed Control fittings

1/4" tubing

OPTIONAL:

VersaDoor Sensor Kit

VersaDoor Solenoid Valve Kit

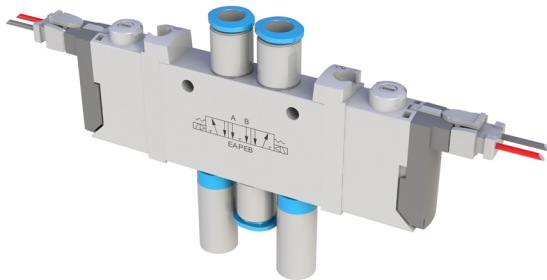
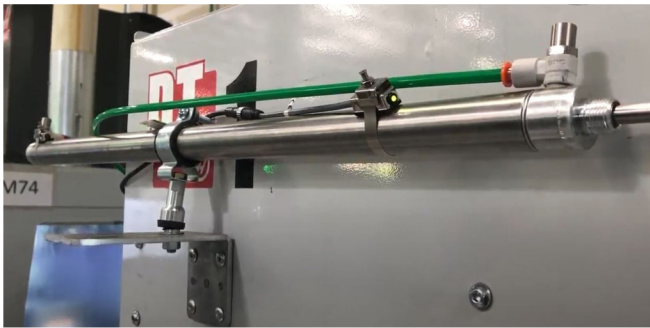
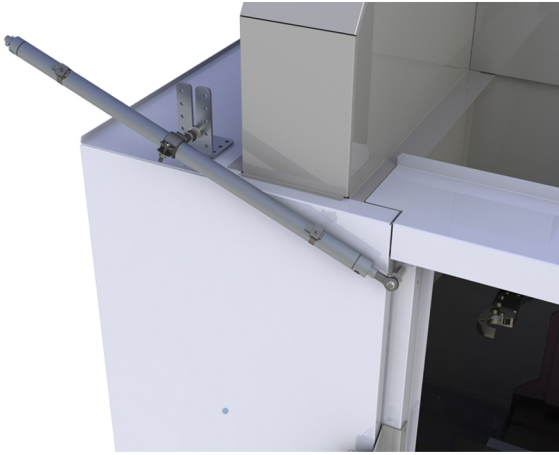


Available Now
\$995 - \$1595

V E R S A **B** U I L T
R O B O T I C S

Contact us for more details
sales@versabuilt.com
(208) 906-0814

VERSADOOR



Purchasing Options

CNC Door Openers

- VersaDoor Single Door 24" \$995
- VersaDoor Single Door 30" \$1,095
- VersaDoor Single Door 40" \$1,295
- VersaDoor Double Door 48" \$1,595

Door Sensor Kit

- VersaDoor Sensor Kit
(M8 Connectors)
P/N - 5007633 - \$495

- VersaDoor Sensor Kit
(Flying Leads)
P/N - 500764 - \$495

VersaDoor Valve Kit

- VersaDoor Valve Kit
P/N - 5005490 - \$299

V E R S A **B U I L T**
R O B O T I C S