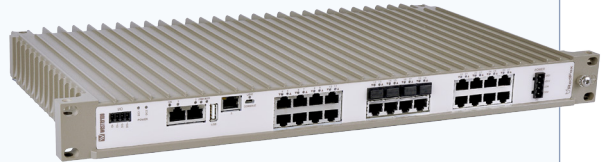


19" Industrial Routing Switch

RFIR-227-F4G-T7G-DC

- ⌘ High performance and configurable
 - 27 ports including 11 gigabit ports
 - Powerful dual core CPU
 - Advanced WeOS layer3 functionality
- ⌘ Designed for demanding Edge Network applications
 - Low power consumption DC power supply
 - Highly configurable fault I/O contact
 - Ultra-robust IP40 19" rack/wall-mount housing
- ⌘ Robust and reliable for long service life
 - 275 000 hours MTBF to MIL-HDBK-217K
 - -40 to +70°C without ventilation holes
 - Industrial and trackside type tested
- ⌘ Unique future proof industrial networking solutions
 - Simple web configuration with professional CLI
 - Network IP Security and remote access
 - Multiple network resilience solutions



The RFIR (RedFox Industrial Rack) is a high performance layer 3 industrial Ethernet switch designed for high network traffic applications. Various port configurations are available that can be further customised with SFP transceivers. RFIR is powered by the Westermo WeOS network operating system.

RFIR is designed for 19" cabinets according to ETSI standard making it suitable for use in control room networks as well as for cabinets installed along railway trackside installations. RFIR is designed to run efficiently from a DC power supply, the unit is also equipped with configurable I/O fault contact that make it ideal for easy installation and monitoring in industrial applications.

Only industrial grade components are used which gives RFIR an MTBF of 275 000 hours that ensures a long service life. A wide operating temperature range -40 to +70°C (-40 to +158°F) can be achieved with no moving parts or cooling holes in the case. RFIR has been tested both by Westermo and external test houses to meet many EMC, isolation, vibration and shock standards, all to the highest levels suitable for heavy industrial environments and rail trackside application.

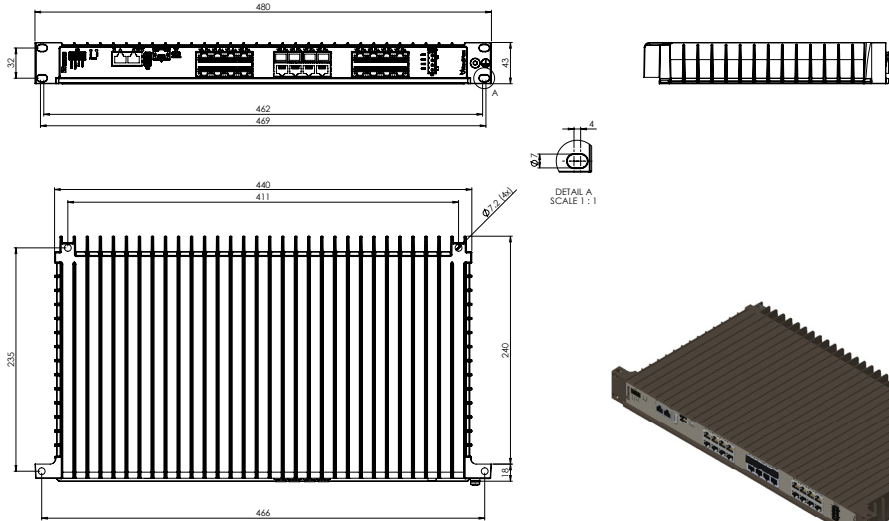
WeOS has been developed by Westermo to allow us to offer cross platform and future proof solutions. WeOS can deliver unique IP security functionality for this class of product, for instance a Multiport DMZ can be constructed by utilising the internal port based firewall function. Remote secure access to a network can be provided using encrypted VPNs.

For more WeOS functionality, please see the WeOS datasheet.

Ordering Information	
Art.no	Description
3641-4025	RFIR-227-F4G-T7G-DC, Industrial routing switch

RFIR-227-F4G-T7G-DC

Dimensional drawing



Dimension 466x258x43 mm
 Weight 3,8 kg
 Degree of protection IP 40

Power

Operating voltage	16 to 60 VDC
Rated current	1.0 (1.2*) A @ 24 VDC 0.47 (0.54*) A @ 48 VDC

*With 500mA USB load

Interfaces

Console	1 x USB Micro-B connector
USB	1 x USB 2.0 host interface
Digital I/O	1 x 4-ports detachable screw terminal
Ethernet	7 x 10/100/1000 Mbit/s, Ethernet TX, RJ-45 4 x 100 or 1000 Mbit/s, pluggable connections, Ethernet FX or TX SFP 16 x 10/100 Mbit/s, Ethernet TX, RJ-45

Temperature

Operating	-40 to +70°C (-40 to +158°F)
Storage & Transport	-40 to +85°C (-40 to +185°F)
Maximum surface temperature	135°C (275°F) (temperature class T4)

Agency approvals and standards compliance

EMC	EN 50121-4, Railway applications - Electromagnetic compatibility - Emission and immunity of the signalling and telecommunications apparatus
	EN 55024, Information technology equipment - Immunity characteristics - Limits and methods of measurement
	EN 61000-6-1, Electromagnetic compatibility - Immunity for residential, commercial and light-industrial environments
	EN 61000-6-2, Electromagnetic compatibility - Immunity for industrial environments
	EN 61000-6-4, Electromagnetic compatibility - Emission for industrial environments
	IEC 62236-4, Railway signalling and telecommunications apparatus
Safety	UL/IEC/EN 60950-1, IT equipment
Marine	DNV GL rules for classification – Ships and offshore units