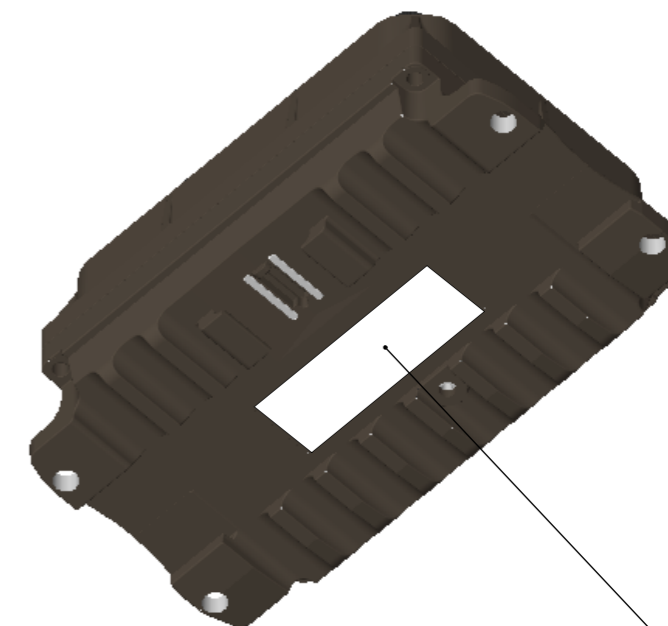
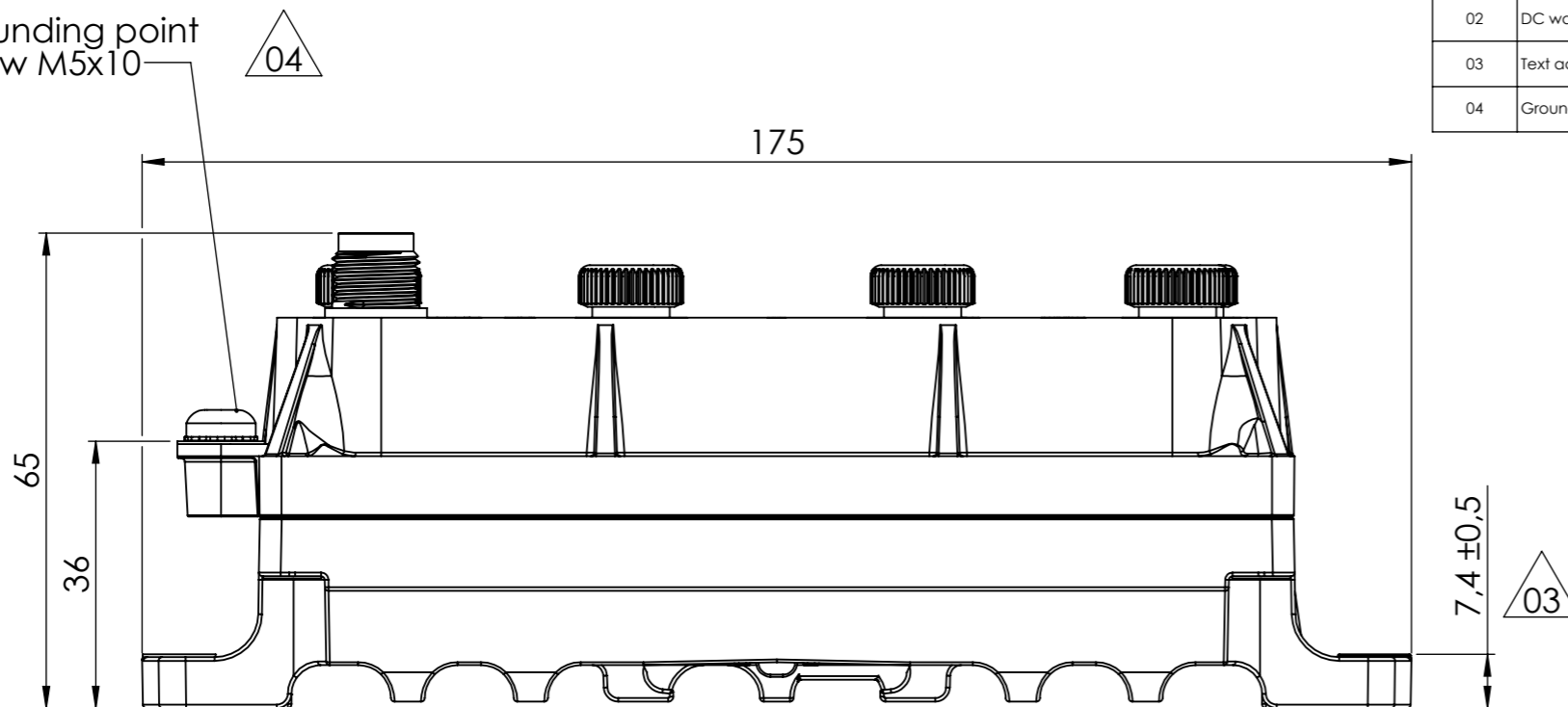


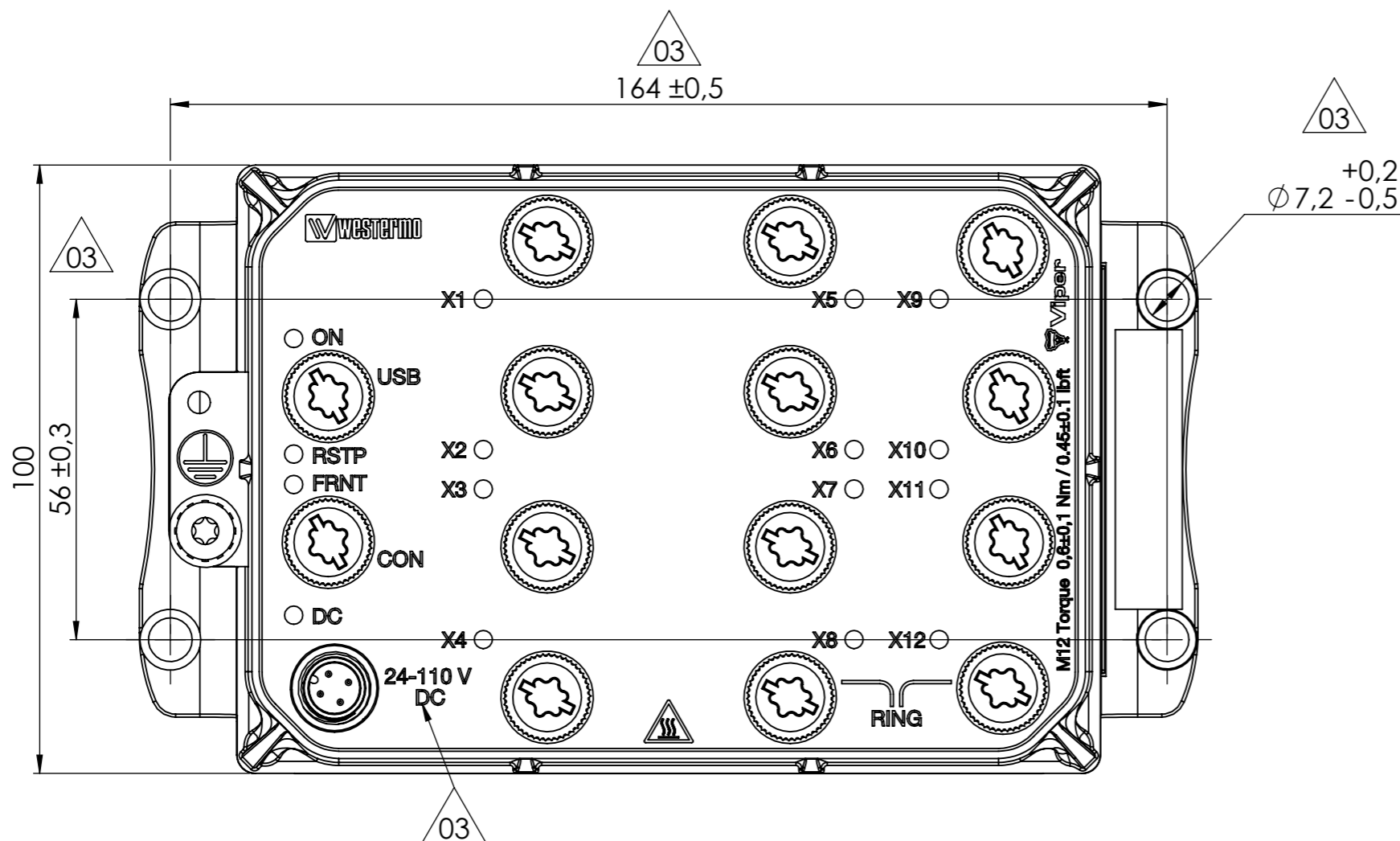
REVISIONS

Rev	Description	Designer	Approved	Date
01	Created	KTN	KLI	2016-09-13
02	DC was PWR	KTN	KLI	2016-11-16
03	Text added; Tolerances added; Dim 7,4 was 7	KTN	KLI	2017-03-07
04	Grounding point info added	KTN	KLI	2017-07-10

Grounding point
Screw M5x10



Label: P/N, Type, Power, MAC, S/N, QR-code



Label: Product name, P/N, S/N, QR-code

Units in millimeter (mm)

Material/Notes		Notes		Tolerance ±1mm	
		Denomination Viper 112A		Designer	Approved
				KTN	KLI
Drawing No. 3635-0010-UD-04		Date 2016-09-06		Scale	Sheet
				1:1	1(1)
Status Approved				Status	
				Approved	