



# Viper 12A-PoE Series

12 port Ethernet M12 switches with Power over Ethernet



# Table of Contents

1. General Information .....	3
1.1. Legal Information .....	3
1.2. About This Guide .....	3
1.3. Software Tools .....	3
1.4. License and Copyright for Included FLOSS .....	3
1.5. WeOS Management Guide .....	3
2. Safety and Regulations .....	4
2.1. Warning Levels .....	4
2.2. Safety Information .....	5
2.3. Care Recommendations .....	7
2.4. Product Disposal .....	7
2.5. Compliance Information .....	8
2.5.1. Agency Approvals and Standards Compliance .....	8
2.5.2. EN/IEC 61010-2-201 Notice .....	8
2.5.3. FCC Part 15.105 Class A Notice .....	8
2.5.4. Simplified Declaration of Conformity .....	9
3. Product Description .....	10
3.1. Product Description .....	10
3.2. Available Models .....	10
3.3. Hardware Overview .....	12
3.4. Connector Pinout .....	13
3.5. LED Indicators .....	15
3.6. Dimensions .....	16
4. Installation .....	17
4.1. Wall Mounting .....	17
4.2. Protective Earth Connection .....	17
4.3. Connection of Cables .....	18
4.4. Cooling .....	19
4.5. Replacement of Product .....	19
4.6. EN 45545-2 Mounting Notes .....	19
5. Specifications .....	20
5.1. Interface Specifications .....	20
5.2. Type Tests and Environmental Conditions .....	23
6. Revision Notes .....	25

# 1. General Information

## 1.1. Legal Information

The contents of this document are provided “as is”. Except as required by applicable law, no warranties of any kind are made in relation to the accuracy and reliability or contents of this document, either expressed or implied, including but not limited to the implied warranties of merchantability and fitness for a particular purpose. Westermo reserves the right to revise this document or withdraw it at any time without prior notice.

Under no circumstances shall Westermo be responsible for any loss of data or income or any special, incidental, and consequential or indirect damages howsoever caused.

More information about Westermo can be found at [www.westermo.com](http://www.westermo.com).

## 1.2. About This Guide

This guide is intended for installation engineers and users of the Westermo products.

It includes information on safety and regulations, a product description, installation instructions and technical specifications.

## 1.3. Software Tools

Related software tools are available at <https://www.westermo.com/support/product-support>.

## 1.4. License and Copyright for Included FLOSS

This product includes software developed by third parties, including Free/Libre Open Source Software (FLOSS). The specific license terms and copyright associated with the software are included in each software package respectively. Please visit the product web page for more information.

Upon request, the applicable source code will be provided. A nominal fee may be charged to cover shipping and media. Please direct any source code request to your normal sales or support channel.

## 1.5. WeOS Management Guide

This product runs WeOS 4 (Westermo Operating System). Instructions for quick start, configuration, factory reset and use of USB port are found in the WeOS Management Guide at [www.westermo.com](http://www.westermo.com).

## 2. Safety and Regulations

### 2.1. Warning Levels

Warning signs are provided to prevent personal injuries and/or damages to the product. The following levels are used:





Level of warning	Description	Consequence personal injury	Consequence material damage
 WARNING	Indicates a potentially hazardous situation	Possible death or major injury	Major damage to the product
 CAUTION	Indicates a potentially hazardous situation	Minor or moderate injury	Moderate damage to the product
 NOTICE	Provides information in order to avoid misuse of the product, confusion or misunderstanding	No personal injury	Minor damage to the product
 NOTE	Used for highlighting general, but important information	No personal injury	Minor damage to the product

Table 1. Warning levels

## 2.2. Safety Information

### Before installation:

Read this manual completely and gather all information available on the product. Make sure it is fully understood. Check that your application does not exceed the safe operating specifications for the product.



### **SAFETY DURING INSTALLATION**

The product must be installed and operated by qualified service personnel and installed into an apparatus cabinet or similar, where access is restricted to service personnel only.

Refer to chapter Compliance Information to see the required level of qualified service personnel according to safety standards.

Before energising and connecting communication cables to the product, ensure a protective earthing conductor is first connected to the protective earthing terminal (only valid for metallic housings). Westermo recommends a cross-sectional area of at least 4 mm<sup>2</sup>.

Note that this product can be connected to two different power sources.

Upon removal of the product, disconnect the product from the power supply and all other communication ports before disconnecting the protective earthing conductor.



### **HAZARDOUS VOLTAGE**

Do not open an energised product. Hazardous voltage may occur when connected to a power supply.



### **PROTECTIVE FUSE**

The power supply wiring must be sufficiently fused. The fuse must be IEC 60127 certified and rated for T6A (HV models) or T10A (LV models) and 250 V.

It must be possible to disconnect manually from the power supply. Ensure compliance to national installation regulations.

This product has no internal fuse and should be connected via an external fuse for protection.



### **REDUCE THE RISK OF FIRE**

To reduce the risk of fire, use only telecommunication line cords with a cable diameter of AWG 26 or larger. Regarding power cable dimensions, see chapter Interface Specifications.



### **CABLE TEMPERATURE RATING FOR FIELD TERMINAL WIRES**

There may be a requirement on the minimum temperature rating of the cable to be connected to the field wiring terminals, see chapter Interface Specifications.



### **ELECTROSTATIC DISCHARGE (ESD)**

Prevent electrostatic discharge damage to internal electronic parts by discharging your body to a grounding point (e.g. use a wrist strap).



### **HOT SURFACE**

Be aware that the surface of this product may become hot. When it is operated at high temperatures, the external surface may exceed Touch Temperature Limit according to the product's relevant electrical safety standard.



### **NOTE - MECHANICAL FORCE ON VENTILATION MEMBRANE**

Do not cover or bring mechanical force to the ventilation membrane on the back of the product.



### **NOTICE - ADDITIONAL EMC TYPETESTS**

For additional EMC typetests with powering via a CDN or similar high inductive filters, please contact Westermo for correct test setup.

### 2.3. Care Recommendations

Follow the care recommendations below to maintain full operation of the product and to fulfill the warranty obligations:

- Do not drop, knock or shake the product. Rough handling above the specification may cause damage to internal circuit boards.
- Use a dry or slightly water-damp cloth to clean the product. Do not use harsh chemicals, cleaning solvents or strong detergents.
- Do not paint the product. Paint can clog the product and prevent proper operation.

If the product is used in a manner not according to specification, the protection provided by the equipment may be impaired.

If the product is not working properly, contact the place of purchase, the nearest Westermo distributor office or Westermo technical support.

### 2.4. Product Disposal

This symbol means that the product shall not be treated as unsorted municipal waste when disposing of it. It needs to be handed over to an applicable collection point for recycling electrical and electronic equipment.

By ensuring the product is disposed of correctly, you will help to reduce hazardous substances and prevent potential negative consequences to both the environment and human health, which could be caused by inappropriate disposal.



Figure 1. WEEE symbol for treatment of product disposal

## 2.5. Compliance Information

### 2.5.1. Agency Approvals and Standards Compliance

Type	Approval/Compliance
Climate	<ul style="list-style-type: none"> <li>EN 50155 class OT4 / IEC 60571 class TX, Railway applications - Electronic equipment used on rolling stock</li> <li>IEEE 1478 class 1, condition E4 (incl Salt Mist), Environmental conditions for transit rail car electronic equipment</li> </ul>
EMC	<ul style="list-style-type: none"> <li>EN/IEC 61000-6-2, Immunity industrial environments</li> <li>EN/IEC 61000-6-4, Emission industrial environments</li> <li>EN 50121-3-2/IEC 62236-3-2 Railway applications – Rolling stock – apparatus</li> <li>Tested and verified for Class S1, DB EMC Regulation 06, Commodity team Radio compatibility in VDB Rev 1.0 (Shunting Radio)</li> <li>Tested and verified for FCC part 15b class A (CFR 47)</li> <li>E-Mark, Road Vehicles, E1 10R-058547<sup>a</sup></li> </ul>
Mechanical (Shock and vibration)	<ul style="list-style-type: none"> <li>EN 61373 category 1, class A and B</li> <li>EN 60068-2-27 20 g, 11 ms and 100 g, 6 ms</li> </ul>
Insulation (Coordination and test)	<ul style="list-style-type: none"> <li>EN 50124-1, Railway applications – Insulation coordination</li> <li>EN 50155/IEC 60571, Railway applications - Electronic equipment used on rolling stock</li> </ul>
Fire protection	<ul style="list-style-type: none"> <li>EN 45545-2, Fire protection on railway vehicles</li> <li>NFPA 130, Fire protection for fixed guideway transit and passenger rail system</li> </ul>
Software	<ul style="list-style-type: none"> <li>EN 50657:2017 Software Onboard Rolling Stock (Basic Integrity)</li> </ul>
Safety <sup>b</sup>	<ul style="list-style-type: none"> <li>EN/IEC 61010-1, -2-201, Safety requirements for electrical equipment for measurement, control, and laboratory use</li> </ul>

<sup>a</sup>Applicable only for Viper-x12A-P8-LV, Viper-x12A-T3G-P8-LV and Viper-x12A-T5G-P8-LV

<sup>b</sup>Applicable only for Viper-HV models

*Table 2. Agency approvals and standards compliance*

### 2.5.2. EN/IEC 61010-2-201 Notice

This product has been tested and found compliant to EN/IEC 61010-2-201, Safety requirements for electrical equipment for measurement, control, and laboratory use. In accordance with the definitions of the standard, this product shall be handled by skilled service personnel.

### 2.5.3. FCC Part 15.105 Class A Notice

This product has been tested and found to comply with the limits for a Class A digital device, pursuant to Part 15 of the FCC Rules.

These limits are designed to provide reasonable protection against harmful interference when the product is operated in a commercial environment.

This product generates, uses, and can radiate radio frequency energy and, if not installed and used in accordance with the user manual, may cause harmful interference to radio



communications. Operation of this product in a residential area is likely to cause harmful interference in which case the user will be required to correct the interference at the users own expense.

#### **2.5.4. Simplified Declaration of Conformity**

Hereby, Westermo declares that this product is in compliance with applicable EU directives and UK legislations. The full declaration of conformity and other detailed information is available at [www.westermo.com/support/product-support](http://www.westermo.com/support/product-support).



*Figure 2. The European Conformity and the UK Conformity Assessment markings*

## 3. Product Description

### 3.1. Product Description

The Viper-12A-PoE series consists of managed 12 port routing switches optimised for the needs of the railway rolling stock market. PoE ports offer effective powering of end-devices. Gbps ports cope with high bandwidth devices such as access points and NVRs (Network Video Recorders).

The Viper-12A-PoE series is designed to withstand the tough environment on-board trains, exposing the switch to constant vibration, extreme temperatures, humidity and a demanding electrical environment.

A GORE-TEX® membrane prevents internal condensation. Threading integrated in chassis provides for additional vibration resistance. High-level isolation between all interfaces enables direct connectivity to vehicle auxiliary power and protects against overvoltage and flashover. IP67 protection prevents ingress of water and dust. An overall optimised design results in an extremely compact package in combination with very high MTBF for easy integration and low lifecycle cost.

Thorough type testing at independent ISO/IEC 17025 and ILAC MRA certified labs, accredited to a wide range of standards, show that the Viper series fulfills EN 50155 and other requirements. The state-of-the-art Westermo production facility ensures the quality of each individual unit, e.g. through temperature cycling burn-in testing.

The WeOS operating system offers an extensive suite of IP networking features for resilient and flexible networks, e.g. the FRNT ring protocol with very fast failover. The powerful layer 3 routing capability is very useful for separating networks in complex applications. The backup device accessory matches the Viper in robustness and offers easy configuration update and backup.

Meeting the requirements of the railcar market, the Viper-12A-PoE series is very well suited for deployment in any other application with severe operating conditions and tough environments, for instance in the mining industry.

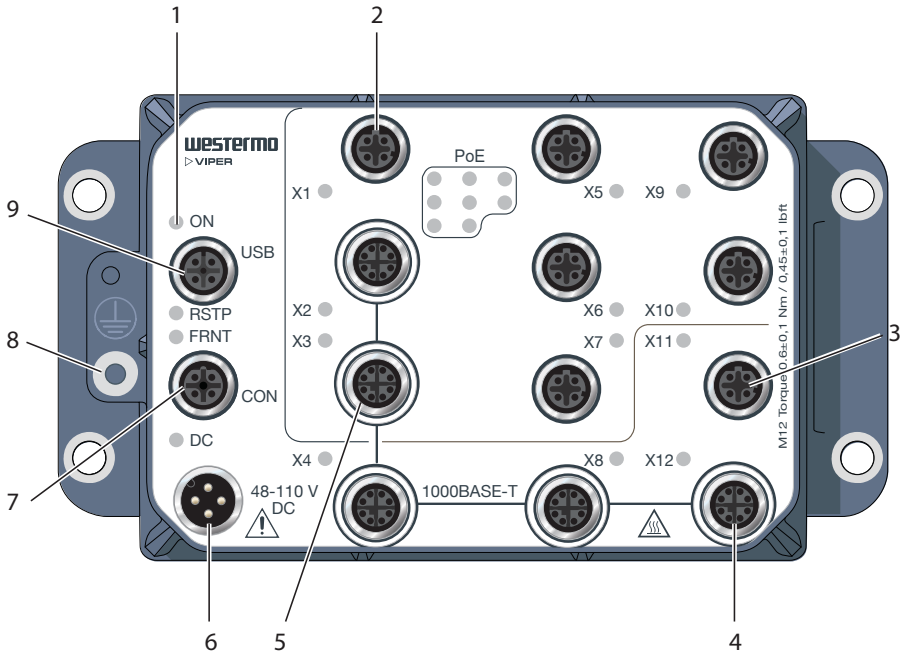
### 3.2. Available Models

All switches are managed and have eight PoE ports. Viper x12A-PoE is used when referring to both models 112A-PoE and 212A-PoE.

<b>Art. no.</b>	<b>Model</b>	<b>SW</b>	<b>Gbps ports</b>	<b>HV</b>	<b>LV</b>
3635-0110	Viper-112A-P8-HV	L2	-	48 - 110 V	
3635-0410	Viper-112A-T3G-P8-HV	L2	3	48 - 110 V	
3635-0710	Viper-112A-T5G-P8-HV	L2	5	48 - 110 V	
3635-0210	Viper-112A-P8-LV	L2	-		24 - 38 V
3635-0510	Viper-112A-T3G-P8-LV	L2	3		24 - 38 V
3635-0810	Viper-112A-T5G-P8-LV	L2	5		24 - 38 V
3635-0120	Viper-212A-P8-HV	L3	-	48 - 110 V	
3635-0420	Viper-212A-T3G-P8-HV	L3	3	48 - 110 V	
3635-0720	Viper-212A-T5G-P8-HV	L3	5	48 - 110 V	
3635-0220	Viper-212A-P8-LV	L3	-		24 - 38 V
3635-0520	Viper-212A-T3G-P8-LV	L3	3		24 - 38 V
3635-0820	Viper-212A-T5G-P8-LV	L3	5		24 - 38 V

*Table 3. Available Viper x12A-P8 models*

### 3.3. Hardware Overview



No.	Description	No.	Description
1	LED indicator	2	100 Mbps PoE port
3	100 Mbps port	4	Gbps port
5	Gbps PoE port	6	Power connection
7	Console port	8	Protective earth connection
9	USB port		

Figure 3. Location of interface ports and LED indicators

### 3.4. Connector Pinout

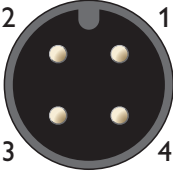
Pin no.	Signal	Illustration
1	+DC1	
2	+DC1	
3	-COM	
4	-COM	
<p>The Viper-12A-PoE series has single power connection. Dual pins shall be connected to the power supply (+DC1 for positive terminal, -COM for negative terminal) in order to distribute the current over two pins.</p>		

Table 4. Power connector HV, A-coded


Pin no.	Signal	Illustration
1	+DC1	
2	+DC1	
3	-COM	
4	-COM	
<p>The Viper-12A-PoE series has single power connection. Dual pins shall be connected to the power supply (+DC1 for positive terminal, -COM for negative terminal) in order to distribute the current over two pins.</p>		

Table 5. Power connector LV, T-coded

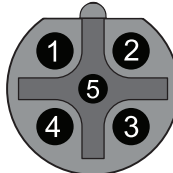
Pin no.	Signal	Illustration
1	NC	
2	TX	
3	RX	
4	NC	
5	GND	

Table 6. Console connector, B-coded

Pin no.	Signal	Illustration
1	DN	
2	VBUS	
3	NC	
4	DC	
5	GND	

Table 7. USB connector, A-coded

Pin no.	Signal	Illustration
1	TD+	
2	RD+	
3	TD-	
4	RD-	

MDI, MDI-X and auto MDI/MDI-X modes are supported. The table shows signals in MDI mode.

Table 8. 100 Mbps Ethernet connector, D-coded

Pin no.	Signal	Illustration
1	DA+	
2	DA-	
3	DB+	
4	DB-	
5	DD+	
6	DD-	
7	DC-	
8	DC+	

Table 9. Gbps connector, X-coded

### 3.5. LED Indicators

LED	Status	Description
ON	OFF	Product has no power
	GREEN	All OK, no alarm condition
	RED	Alarm condition, or until product has started up. (Alarm conditions are configurable, see <i>WeOS4 Management Guide</i> )
	BLINK	Location indicator ("Here I am!"). Activated when connected to WeConfig tool, or upon request from web or/and CLI. RED BLINK during boot indicates pending cable factory reset.
RSTP	OFF	RSTP disabled
	GREEN	RSTP enabled
	BLINK	Product selected as RSTP/STP root switch
FRNT	OFF	FRNT disabled
	GREEN	FRNT OK
	RED	FRNT error
	FLASH	Product configured as FRNT focal point
DC	OFF	Product has no power
	GREEN	Power OK. Input voltage > 70% of minimum nominal voltage
	RED	Power failure. Input voltage < 70 % of minimum nominal voltage
X1 to X12	OFF	No link
	GREEN	Link established
	GREEN FLASH	Data traffic indication
	YELLOW	Port alarm, or port is set in blocking state by link redundancy protocol
PoE	OFF	Port does not consume PoE power
	GREEN	Port consumes PoE power

Table 10. LED indicators

### 3.6. Dimensions

Dimensions are stated in mm and are regardless of model.

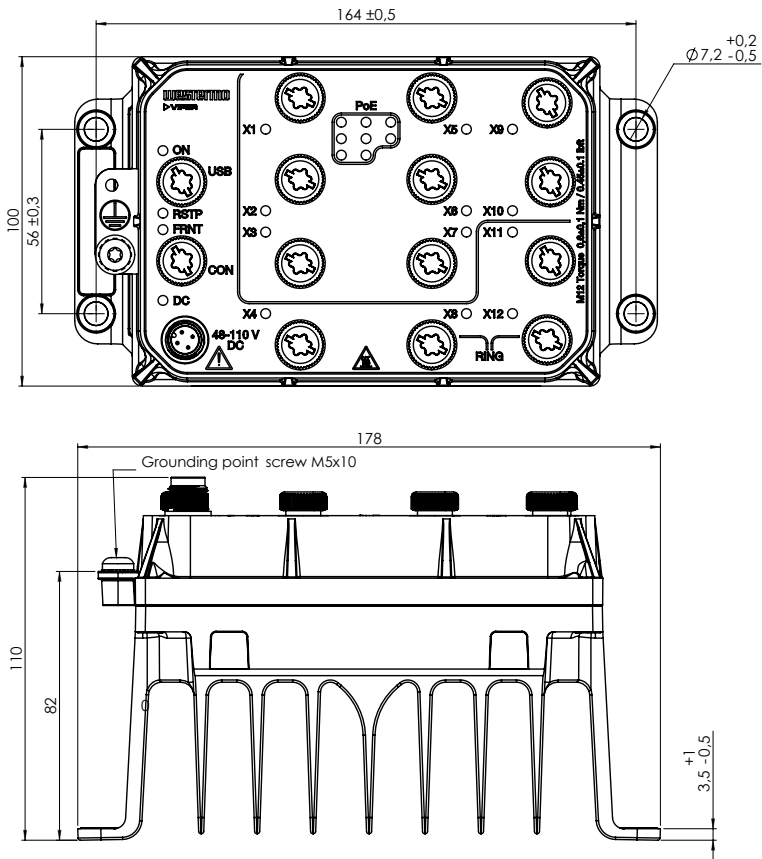


Figure 4. Dimensional drawing



## 4. Installation

### 4.1. Wall Mounting

The product can be wall mounted vertically or horizontally. There are four pieces of 7 mm bores for this. Use four M5, M6 or 1/4" screws with 12 mm washers on a flat and stable surface.

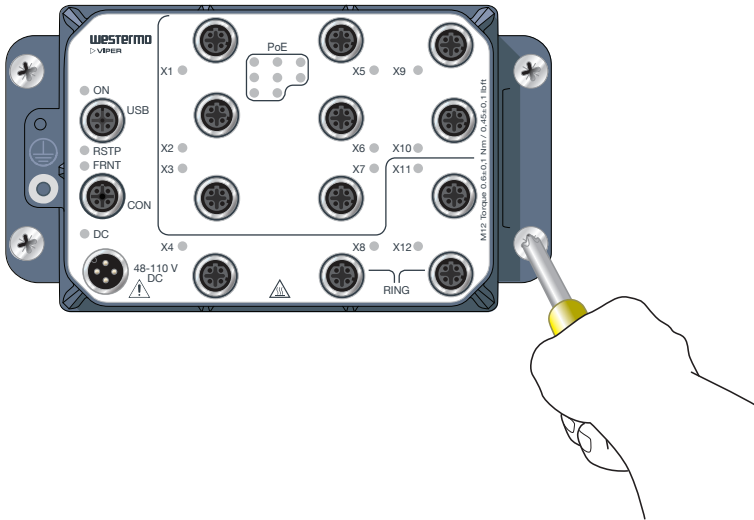


Figure 5. Wall mounting

### 4.2. Protective Earth Connection

For correct function, the earth connection needs to be properly connected to a designated PE rail. Torx: T25 and torque: 3.2 Nm.

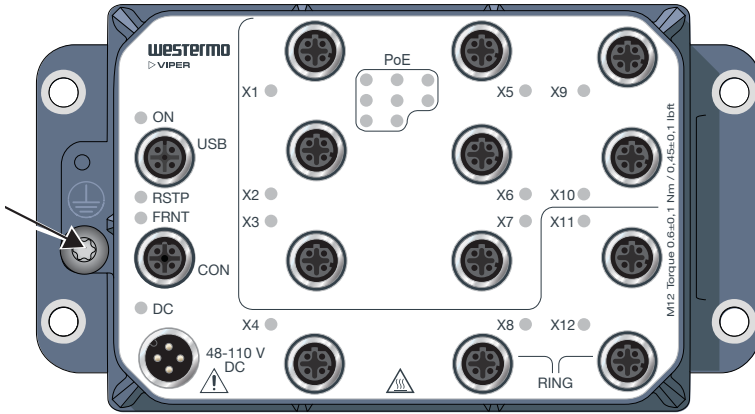


Figure 6. Earth connection

### 4.3. Connection of Cables

Recommended tightening torque for the M12 connectors is 0.6 Nm. All M12 connections are screw connections.

When connecting the power cable, ensure that the pins are connected correctly before tightening the power cable to the unit.



#### PROTECTIVE FUSE

The power supply wiring must be sufficiently fused. The fuse must be IEC 60127 certified and rated for T6A (HV models) or T10A (LV models) and 250 V.

It must be possible to disconnect manually from the power supply. Ensure compliance to national installation regulations.

This product has no internal fuse and should be connected via an external fuse for protection.



#### NOTE - UNUSED CONNECTORS

Unused connectors must be covered by a protective cap (delivered with the product), tightened to the specified torque in order to fulfill the specified ingress protection code.

#### 4.4. Cooling

This product relies on convection cooling. Make sure that it is installed so that the ambient temperature is within the specified temperature range. Avoid obstruction of the airflow around the product.

#### 4.5. Replacement of Product

Disconnect all cables and unscrew the product from the wall. Mount the replacement product and reconnect all cables, observing the instructions in [Connection of Cables \[18\]](#). For easy replication of the configuration of the original product, it is recommended to have the Westermo USB plug permanently connected to the USB port and move it over to the replacement product before it is powered up.

MTTR (Mean Time To Repair), i.e. time for replacement of product is: < 10 minutes.



#### **HOT SURFACE**

Be aware that the surface of this product may become hot. When it is operated at high temperatures, the external surface may exceed Touch Temperature Limit according to the product's relevant electrical safety standard.

#### 4.6. EN 45545-2 Mounting Notes

Two product can be mounted together and as a single interior non-listed group in the sense of EN 45545-2 definitions. For multiple product, the spacing requirements for interior non-listed groups must be met.

## 5. Specifications

### 5.1. Interface Specifications

DC, Power port	
Rated voltage <sup>a</sup>	Viper-x12A LV units: 24 to 38 VDC Viper-x12A HV units: 48 to 110 VDC
Operating voltage <sup>b</sup>	Viper-12A LV units: 16.8 to 49.9 VDC (14.4 VDC for 100 ms and 53.2 VDC for 1 s) Viper-12A HV units: 33.6 to 143 VDC (28.8 VDC for 100 ms and 154 VDC for 1 s)
Rated current	Viper-x12A LV units: max 4.6 A at 24 VDC, max 2.9 A at 38 VDC Viper-x12A HV units: max 2.4 A at 48 VDC, max 1.0 A at 110 VDC
Rated frequency	DC
Inrush current	Viper-x12A LV units: 540 mA <sup>2</sup> s at 24 VDC, 410 mA <sup>2</sup> s at 38 V Viper-x12A HV units: 190 mA <sup>2</sup> s at 48 VDC, 160 mA <sup>2</sup> s at 110 V
Startup current	Viper-x12A LV units: 1.5 A at 16.8 VDC Viper-x12A HV units: 750 mA at 33.6 VDC
Polarity	Reverse polarity protected
Redundant power input	No
Isolation	2250 VDC to all other ports
Circuit type	Secondary circuit hazardous voltage, OVC II
Connector	Viper-x12A LV units: 4-pin, male, M12, T-coded, recommended Westermo cable: 3146-1109 for 5 m Viper-x12A HV units: 4-pin, male, M12, A-coded, recommended Westermo cables: 3146-1106 for 1.5 m 3146-1107 for 5 m
Cable size	For Viper-x12A HV units: M12, recommended power cable area 0.5 mm <sup>2</sup> (minimum 0.25 mm <sup>2</sup> ), which correlates to AWG 21 or larger For Viper-x12A LV units: M12, recommended power cable area 1 mm <sup>2</sup> (minimum 0.75 mm <sup>2</sup> ), which correlates to AWG 18 or larger Cable dimensions depend on choice of M12 connector
Cable temperature rating	For minimum temperature rating of the cable to be connected to the field wiring terminals: -40 to +70 °C

<sup>a</sup>Also referred to as nominal voltage in EN/IEC 61010-1

<sup>b</sup>Also referred to as nominal voltage in EN/IEC/UL 61010-1

<b>100 Mbps ports, non-PoE<sup>a</sup></b>	
Electrical specification	IEEE std 802.3
Data rate	10 Mbps, 100 Mbps, manual or auto
Duplex	Full or half, manual or auto
Circuit type	TNV-1
Transmission range	Up to 150 m with CAT5e cable or better
Isolation	To all other ports
Connector	4-pin, female, M12, D-coded, auto MDI/MDI-X, recommended Westermo cables: 3146-1100 M12-M12 - 1 m 3146-1101 M12-M12 - 5 m 3146-1103 RJ45-M12 - 1 m 3146-1104 RJ45-M12 - 5 m
Shielded cable	Shielded cable CAT5e or better is recommended
Conductive chassis	Yes
FRNT reconfiguration time	Typically below 20 ms

<sup>a</sup>100 Mbps ports, non-PoE, are:  
X4, X8, X11-X12 on Viper-x12A-P8-HV/LV  
X11 on Viper-x12A-TxG-P8-HV/LV

<b>Gbps ports, non-PoE<sup>a</sup></b>	
Electrical specification	IEEE std 802.3
Data rate	10 Mbps, 100 Mbps, 1000 Mbps, manual or auto
Circuit type	TNV-1
Transmission range	Up to 100 m with CAT5e cable or better
Isolation	To all other ports
Connector	8-pin, female, M12, X-coded
Shielded cable	Shielded cable CAT5e or better is recommended
Conductive chassis	Yes
FRNT reconfiguration time	Typically below 20 ms

<sup>a</sup>Gbps ports, non-PoE are: X4, X8, X12 on Viper-x12A-TxG-P8-HV/LV

### PoE ports, 100 Mbps and Gbps<sup>a</sup>

Electrical specification	IEEE std 802.3
Circuit type	TNV-1
Transmission range	Up to 100 m with CAT5e cable or better
Isolation	To all other ports
Output voltage	54 VDC, $\pm 5\%$
Output power <sup>b</sup> :	Max 30 W on one port (PoE+) Max 80 W in total on all ports

<sup>a</sup>PoE ports are: X1-X3, X5-X7, X9-X10. X2 and X3 are Gbps for Viper-x12A-T5G-P8-LV/HV.

<sup>b</sup>As delivered by Power Sourcing Equipment, i.e. the Viper-x12A-PoE switch. Power available at Powered Device is depending on the cable resistance.



#### NOTE

PoE ports are not isolated to each other, except on a functional level.

### USB port

Electrical specification	USB 2.0 host interface
Data rate	Up to 480 Mbps (high-speed mode)
Maximum supply current	200 mA
Circuit type	SELV
Isolation	To all Ethernet and DC ports No isolation to CON or protective earth
Connector	5-pin, female, M12, A-coded, recommended Westermo USB plug 3641-0190

### Console port

Electrical specification	RS-232
Data rate	115.2 kbit/s
Data format	8 data bits, no parity, 1 stop bit, no flow control
Circuit type	SELV
Isolation	To all Ethernet and DC ports No isolation to USB or protective earth
Connector	5-pin, female, M12, B-coded, recommended Westermo cables: 1211-2215 (serial port) or 1211-4073 (USB)

## 5.2. Type Tests and Environmental Conditions

Environmental phenomena	Basic standard	Description	Test levels
ESD	EN 61000-4-2	Enclosure	Contact: $\pm 6$ kV Air: $\pm 8$ kV
Fast transients	EN 61000-4-4	Power port	$\pm 2$ kV
		Signal ports	
		Earth port	
Surge	EN 61000-4-5	Power port	L-E: $\pm 2$ kV, $42 \Omega$ , $0.5 \mu\text{F}$ , $1.2/50 \mu\text{s}$ L-E: $\pm 1$ kV, $12 \Omega$ , $9 \mu\text{F}$ , $1.2/50 \mu\text{s}$ L-L: $\pm 2$ kV, $42 \Omega$ , $0.5 \mu\text{F}$ , $1.2/50 \mu\text{s}$ L-L: $\pm 0.5$ kV, $2 \Omega$ , $18 \mu\text{F}$ , $1.2/50 \mu\text{s}$
		Ethernet port	L-E: $\pm 2$ kV, $2 \Omega$
Pulsed magnetic field	EN 61000-4-9	Enclosure	300 A/m
Radiated RF immunity	EN 61000-4-3	Enclosure	20 V/m at (80 MHz to 2 GHz) 10 V/m at (2-6 GHz) 1 kHz sine, 80% AM
Conducted RF immunity	EN 61000-4-6	Power port	10 V, 80% AM, 1 kHz; (0.15-80) MHz
		Ethernet ports	
		Earth port	
Radiated RF emission	CISPR 16-2-3	Enclosure	EN 61000-6-4 (80-6000 MHz)
	ANSI C63,4 (FCC Part 15)		EN 61000-6-4 (80-6500 MHz)
Conducted RF emission	CISPR 16-2-1	Power port	EN 61000-6-4
		Ethernet ports	EN 61000-6-3
Dielectric strength	EN/IEC 61010-1	Power port to all other ports	2250 VDC, 1 min
		Ethernet ports to all other ports	2250 VDC, 1 min
		Gbps Ethernet ports to all other ports	2250 VDC, 1 min <sup>a</sup>
		PoE ports to all other ports <sup>b</sup>	2250 VDC, 1 min <sup>a</sup>

<sup>a</sup>750 VDC after damp heat, according to EN 50155

<sup>b</sup>PoE ports are not isolated to each other, except on a functional level.

Table 11. EMC and electrical conditions

Environmental phenomena	Basic standard	Description	Test levels
Temperatures	EN 60068-2-1 EN 60068-2-2	Operational	-40 to +70°C (-40 to +158°F) <sup>a,b</sup>
		Storage and transport	-55 to +85°C (-67 to +185°F)
Humidity	EN 60068-2-30	Operational	5-95 % relative humidity
		Storage and transport	
Altitude		Operational	2000 m/80 kPa
Service life		Operational	20 years according to IEC/TR 62380
MTBF	1: MIL-217F2, GB, 25°C (+77°F) 2: IEC 62380		Viper-x12A-P8-LV: 1: 404,000 h Viper-x12A-P8-HV: 1: 403,000 h Viper-x12A-T3G-P8-LV: 1: 400,000 h, 2: 471,000 h Viper-x12A-T3G-P8-HV: 1: 399,000 h, 2: 471,000 h Viper-x12A-T5G-P8-LV/HV 1: 392,000 h
Vibration	IEC 60068-2-6 (sine)	Operational	2 g rms 5-500 Hz, 5 sweeps
	IEC 60068-2-64 (random)	Non-operational long life simulation	11.44 m/s <sup>2</sup> rms 5-150 Hz, 5 hours
Shock	IEC 60068-2-27	Operational	10 g, 30 ms, half sine 20 g, 11 ms, saw tooth 100 g, 6 ms, half sine
Weight			1.7 kg
Degree of protection	EN 60529	Enclosure	IP67
Cooling			Convection
Overvoltage category	EN/IEC 61010-1		OVC II
Pollution degree	EN/IEC 61010-1		PD3 macro environment and PD2 micro environment <sup>c</sup>
	EN 50124-1		PD2
Location	EN/IEC 61010-1		Outdoor, wet locations
	IEEE 1478		Class 1, condition E4. Indoor

<sup>a</sup>Refer to "Safety and Regulations" chapter regarding touch temperature

<sup>b</sup>Operational at +85°C for a limited time

<sup>c</sup>Installation and maintenance shall be made under controlled environments.

**Table 12. Environmental and mechanical conditions**



## 6. Revision Notes

Revision	Date	Change description
Rev. N	2022-05	1.3 Software Tools; link updated, 2.2 Safety Information - Warning - Safety during installation; text updated, 2.5.1 Agency Approvals and Standards Compliance; Software and Safety added; 2.5.2 EN/IEC 61010-2-201 Notice; new chapter, 3.3 Hardware Overview; illustration updated, 3.6 Dimensions; illustration updated, 4.1 Wall Mounting; illustration updated, 4.2 Protective Earth Connection; torque added and illustration updated, 5.1 Interface specification updated (USB port).
Rev. M	2021-12	5.1 Interface Specification updated (DC Power port; operating voltage)
Rev. L	2021-05	Westermo logo updated, blue product illustrations throughout the user guide, 2.2 Safety Information - Warning - Reduce the risk of fire updated, Caution - Cable temperature rating for field terminal wires, 2.5.3 Simplified Declaration of Conformity; text and figure updated, 3.4. Connector Pinout, illustration for table 6 updated, 3.6. Dimensions, illustration updated, 4.2. Earth connection chapter added, 5.1. Interface Specifications tables updated, 5.2 Type Tests and Environmental Conditions updated (Altitude updated).
Rev. K	2020-08	Westermo logo updated, 3.6 Dimensions drawing updated (177 mm > 178 mm)
Rev. J	2020-03	5.1 Interface Specifications - DC, Power port, connector updated.
Rev. I	2020-01	2.6.1 Agency Approvals and Standards Compliance - references to SBB requirements and ÖBB removed.
Rev. H	2019-06	Front page updated, "unit" changed to "product" throughout the user guide, 1.3 Software Tools text updated, 2.2 Safety Information: Notice - Mechanical force on ventilation membrane new information, 2.3 Care Recommendations text updated, 2.6.1 Agency Approvals and Standards Compliance updated (E-mark), 4.4 Replacement of Product text updated
Rev. G	2018-12	Viper-x12A-T5G-P8-HV and -LV added. 2.2 Safety Information with specific symbol for Caution - Hot surface, and text in Notice - Connect external fuse updated, 2.5 Environmental Protection updated to Product disposal, 2.6.1 Agency Approvals table updated, 2.6.3 Declaration of Conformity updated to Simplified Declaration of Conformity, 3.2 more models added, 3.3 Hardware Overview table updated, 4.2 updated with Notice - Connect external fuse, chapter 4.4 symbol for Caution - Hot surface updated, 5.1 Interface specifications - Gbps ports; Transmission range updated, PoE ports note A updated, Note updated, inrush current updated, 5.2 Type Tests and Environmental Conditions - enclosure updated, end page updated
Rev. F	2017-09	2.1 Definition of personal injury at Caution level updated, 2.2 Notice on additional EMC typetests added, 2.6.1 Mechanical data updated, 3.6 Dimensional drawing updated, 5.1 DC, Power port "Inrush current updated", Gbps ports, non-PoE "Isolation to" updated, PoE ports "Output power" updated to 30 W on one port, Transmission range for 100 Mlbs ports and Gbps ports changed to 150 m, 5.2 Power frequency magnetic

Revision	Date	Change description
		field test deleted, Enclosure updated, Radiated + Conducted RF emission updated
Rev E	2017-07	<p>New layout for user guide with rearranged chapters, chapter 1 has updated texts and new chapter 1.5, new defining Warning levels in chapter 2.1, updated text in chapter 3.1, <math>\pm</math> removed from <math>\pm 2250</math> and <math>\pm 750</math> VDC throughout the user guide, radiated RF immunity, service life and shock updated in chapter 5.2</p> <p>Old chapters Getting started, Configuration, Reference documents and Cable factory reset are deleted.</p>

# WESTERMO

Westermo • Metallverksgatan 6, SE-721 30 Västerås, Sweden

Tel +46 16 42 80 00 Fax +46 16 42 80 01

E-mail: [info@westermo.com](mailto:info@westermo.com)

[www.westermo.com](http://www.westermo.com)