

Managed EN 50155 Switch

Viper-408



- Compact rail-approved Ethernet switch solution
 - Single model 24 – 110VDC power range
 - 8 x 100 Mbit/s Ethernet ports
 - Layer 2 switching functions
- Externally tested and verified to EN 50155
 - Surge resistance and isolation
 - Magnetic field immunity & conducted emission
 - Shock and vibration
- Designed for long life and extreme operational environments
 - IP65 anti-condensation GORE-TEX® membrane
 - Ambient temperature –40 °C (–40 °F) to +70 °C (+158 °F)
 - High MTBF, 1,017,000 hours
- Design and production testing to match requirements for train control
 - Post production testing exceeding EN 50155 mandatory requirement
 - Manufactured according to IPC-A-610D class2

EN 50121-4 Railway Trackside
 EN 50155 On Board Rail
 EN 61000-6-1 Residential Immunity
 EN 61000-6-2 Industrial Immunity
 EN 61000-6-3 Residential Emission
 EN 61000-6-4 Industrial Emission
 EN 45545-2 Fire Protection

The Viper-408 is a managed 8-port switch designed to meet the full requirements of the rail vehicle market. The incredibly compact and robust housing ensures the unit can be built into tight and environmentally hostile spaces. The embedded software provides an extensive suite of IP networking standards allowing resilient and flexible networks to be created, meeting the needs of the rail market.

As is critical for all equipment to be installed in rail vehicles, the Viper has been externally tested across the complete spectrum of standards required by EN 50155.

Westermo understand that systems on railcars are required by the EN 50155 standard to have a useful life of 20 years, so as well as using the highest quality components to deliver extended MTBF figures, we also implement features like the GORE-TEX® membrane in the IP65 enclosure to prevent water build up in the units.

The EN 50155 standard requires mandatory performance and isolation testing. Not only does Westermo meet these requirements, we exceed them in order to meet the additional manufacturer requirements for train control. Westermo's Swedish factory has been building Ethernet switches for the railcar market for many years and fully understands the measures that are required to provide the highest quality manufactured solutions.

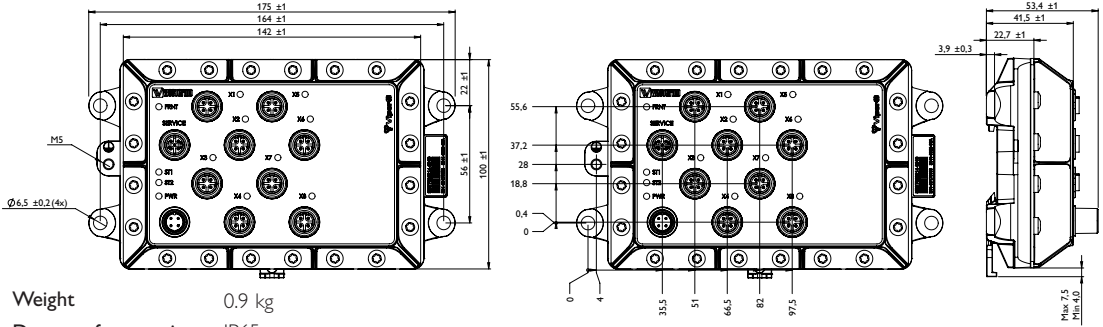
Meeting the requirements of the railcar environment, makes the Viper very well suited for deployment in any application with severe operating conditions and extreme environments.

Ordering Information

Art.no	Description
3641-0360	Viper-408, Managed EN 50155 Switch
3641-6360	Viper-408, Managed EN 50155 Switch with E-Mark
3146-11xx	Patch and power cables, see www.westermo.com

Specifications Managed EN 50155 Switch – Viper-408

Dimensional drawing



Weight 0.9 kg
Degree of protection IP65

Power

Rated voltage	24 to 110 VDC
Operating voltage	16.8 to 143 VDC (14.4 to 154 VDC for 100 ms)
Rated current	140 mA @ 24 VDC and 40 mA @ 110 VDC

Interfaces

X1 – X8, Ethernet ports	8 x 10/100 Mbit/s
CON	1 x RS-232, 115.2 kbit/s

Performance specifications

1. Port functions	Auto MDI/MDIX, supports half/full duplex operation
2. MAC address table size	2K MAC entries
3. VLAN	IEEE802.1Q tagged VLAN
4. Forwarding modes	Store and Forward
5. Network addressing	IPv4 ready

Temperature

Operating	-40 to +70 °C (-40 to +158 °F)
Storage & Transport	-50 to +85 °C (-58 to +185 °F)

Agency approvals and standards compliance

EMC	EN 61000-6-1, Immunity residential environments
	EN 61000-6-2, Immunity industrial environments
	EN 61000-6-3, Emission residential environments
	EN 61000-6-4, Emission industrial environments
	EN 50121-3-2 Railway applications – EMC: Rolling stock – apparatus
	EN 50121-4, Railway signaling and telecommunications apparatus
	IEC 62236-4, Railway signaling and telecommunications apparatus
Safety	E-Mark, Road Vehicles, E1 no: 10 R – 047216 (optional, art.no 3641-6360)
Safety	IEC/EN 60950-1, IT equipment
Environmental	EN 50155 Railway applications – Electronic equipment used on rolling stock
	EN 61373 – Railway applications – Rolling stock equipment. Shock and vibration tests
	IEEE 1478 – Environmental conditions for transit rail car electronic equipment
	EN 50124-1 – Railway applications – Insulation coordination
	IEC 60068-2-27, (shock 10 g, 11 ms), IEC 60068-2-64
Fire protection	EN 45545-2, Fire protection on railway vehicles