

# EN 50155 Managed Routing Switch

## Viper-220A

- Compact 20 port routing switch, approved for rolling stock
  - 20x100 Mbps
- Designed and built for extreme operational environments
  - Robustness-enhancing design features
  - Extensive range of approvals, by IEC/ISO 17025 certified laboratories
  - Quality-focused engineering and production located in Sweden
- Powered by WeOS, Westermo's proven network operating system
  - Strong set of protocols and functions, including layer 3 routing, DHCP (server and client) and VRRP
  - High level cyber security
  - Easy to use



**EN 50121-3-2** Rolling Stock    **EN 50121-4** Railway Trackside    **EN 50155** On Board Rail    **EN 45545-2** Fire Protection    **NFPA 130** Fire Protection

The Viper-220A is a managed 20 port routing switch optimised for the needs of the railway rolling stock market.

The Viper is designed to withstand the tough environment on-board trains, exposing the switch to constant vibration, extreme temperatures, humidity and a demanding electrical environment.

A GORE-TEX® membrane prevents internal condensation. Threading integrated in chassis provides for additional vibration resistance. High-level isolation between all interfaces enables direct connectivity to vehicle auxiliary power and protects against overvoltage and flashover. IP67 protection prevents ingress of water and dust. An overall optimised design results in an extremely compact package in combination with very high MTBF for easy integration and low lifecycle cost.

Thorough type testing at independent ISO/IEC 17025 and ILAC MRA certified labs, accredited to a wide range of standards, show that the Viper series fulfills EN 50155 and other requirements. The state-of-the-art Westermo production facility ensures the quality of each individual unit, e.g. through temperature cycling burn-in testing.

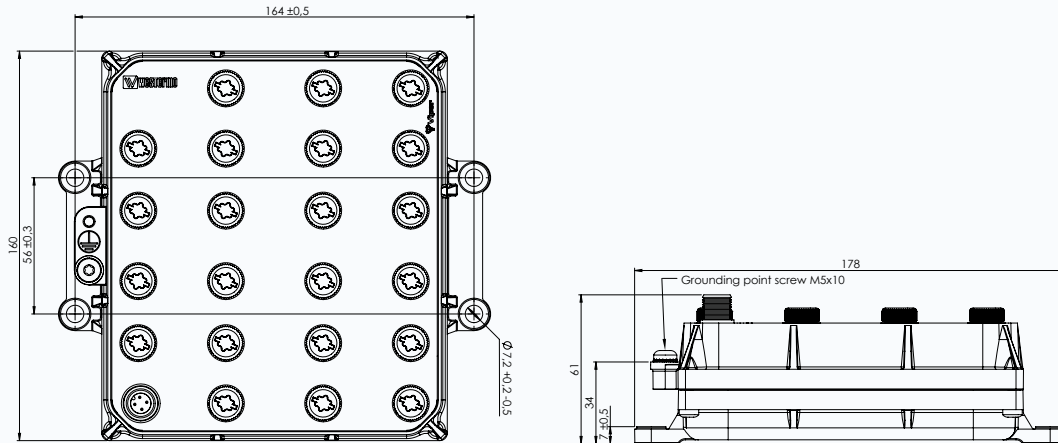
The WeOS operating system offers an extensive suite of IP networking features for resilient and flexible networks, e.g. the FRNT ring protocol with very fast failover. The powerful layer 3 routing capability is very useful for separating networks in complex applications. The backup device accessory matches the Viper in robustness and offers easy configuration update and backup.

Meeting the requirements of the railcar market, the Viper is very well suited for deployment in any other application with severe operating conditions and tough environments, for instance in the mining industry.

Ordering information	
Art. no.	Description
3635-0920	Viper-220A, EN 50155 managed routing switch
3641-7190/-0190	M12 USB configuration backup device with/without attachment strap
3146-11xx	Patch and power cables, see <a href="http://www.westermo.com">www.westermo.com</a>
1211-4073	Console cable

# Specifications - Viper-220A

## Dimensional drawing



## Technical data

Dimensions (W x H x D)	178 x 160 x 61 mm (7.01 x 6.30 x 2.40 inches)
Weight	1.6 kg
Rated voltage	24 to 110 VDC
Operating voltage	16.8 to 143 VDC (14.4 to 154 VDC for 100 ms)
Rated current	670 mA at 24 V and 160 mA at 110 V
Power interruption	Class S2 (10 ms hold-up)
Ethernet ports	20x100 Mbps
Backup and restore port	1 x USB
Console port	1 x RS-232
Operating temperature	-40 to +70°C (-40 to +158°F) (+85°C for a limited time)
Storage and transport temperatures	-55 to +85°C (-67 to +185°F)
MTBF	530,500 hours (MIL-HDBK-217F2)
Ingress protection	IP67

## Type Approval/Compliance

Type	Approval/Compliance
Climate	<ul style="list-style-type: none"> <li>EN 50155/IEC 60571 class TX, Railway applications - Electronic equipment used on rolling stock</li> <li>IEEE 1478 class 1, condition E4 (incl Salt Mist), Environmental conditions for transit rail car electronic equipment</li> </ul>
EMC	<ul style="list-style-type: none"> <li>EN 61000-6-2, Immunity industrial environments</li> <li>EN 61000-6-4, Emission industrial environments</li> <li>EN 50121-4/IEC 62236-4, Railway signaling and telecommunications apparatus</li> <li>EN 50121-3-2/IEC 62236-3-2 Railway applications – Rolling stock – apparatus</li> <li>Tested and verified for Class S1, DB EMC Regulation 06, Commodity team Radio compatibility in VDB Rev 1.0 (Shunting Radio). Compliant with SBB requirements.</li> <li>Tested and verified for Class S1, ÖBB Radio compatibility in near field in accordance with ÖBB Infrastructure Edition 4, Revision 14 (Shunting Radio).</li> <li>Tested and verified for FCC part 15</li> </ul>
Mechanical (Shock and vibration)	<ul style="list-style-type: none"> <li>EN 61373 category 1, class A</li> <li>EN 60068-2-27 20 g, 11 ms and 100 g, 6 ms</li> </ul>
Insulation (Coordination and test)	<ul style="list-style-type: none"> <li>EN 50124-1, Railway applications – Insulation coordination</li> <li>EN 50155/IEC 60571, Railway applications - Electronic equipment used on rolling stock</li> </ul>
Fire protection	<ul style="list-style-type: none"> <li>EN 45545-2, Fire protection on railway vehicles</li> <li>NFPA130, Fire protection for fixed guideway transit and passenger rail system</li> </ul>