

GP7 AND GP8

COMPACT, HIGH-SPEED ROBOTS

KEY BENEFITS

Highest payload, speeds and wrist allowable moment in its class

Compact, space-efficient design

Engineered for easy installation, operation and maintenance

IP67 rating for use in a wide variety of applications

SPECIFICATIONS

GP7

7 kg payload
927 mm horizontal reach
1,693 mm vertical reach
0.01 mm repeatability

GP8

8 kg payload
727 mm horizontal reach
1,312 mm vertical reach
0.01 mm repeatability

APPLICATION

Assembly

Material Handling

Packaging

CONTROLLER

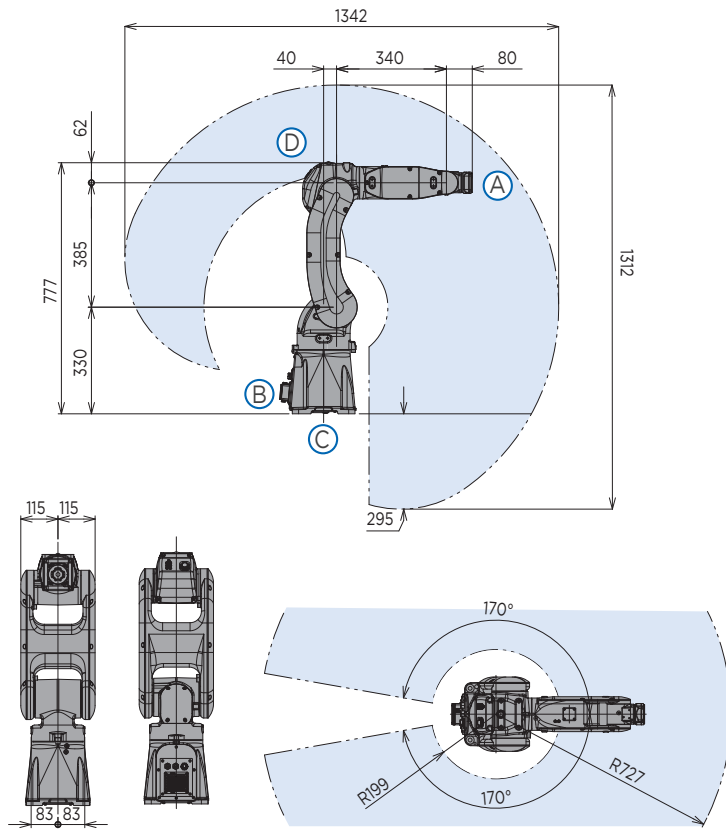
YRC1000

YRC1000micro

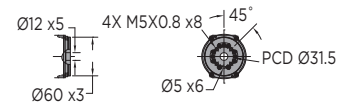


- Increase your productivity with the fast and efficient GP7 and GP8 robots.
- All axis speeds have been increased by up to 39% - surpassing other robots in its class.
- Small footprint, slim body design allows for minimum installation space.
- IP67 rating and easy-to-clean surface for use in sanitary or harsh environments. Anti-corrosive paint option available for further chemical resistance.
- Reduced interference design allows close proximity placement of robots.
- Increased reach enables wider work area.
- Maximum reduction of acceleration/ deceleration times for all robot positions.
- Highest wrist allowable moment for accurate and repeatable handling.
- Single power and control cable reduces wiring time and increases work efficiency.
- Modular robot harness design for improved diagnostics and maintenance.
- Home position data can be saved without battery connection for easy maintenance.
- Optional location (bottom) for manipulator cable connection reduces interference with walls.
- Ideal for high-volume assembly, handling and packaging applications.
- NSF-H1 certified food-grade lubricant option available for food or consumer product packaging environments.
- The GP7 and GP8 robots are available with either the standard teach pendant or the Smart Pendant.

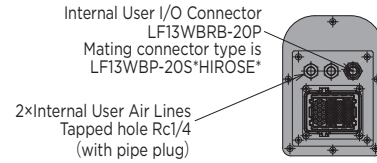
GP7 AND GP8 ROBOTS



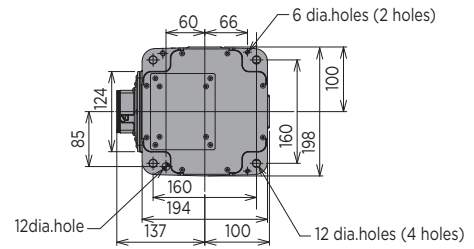
VIEW A



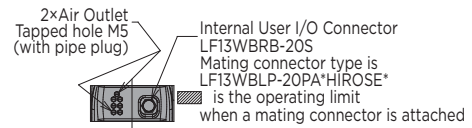
VIEW B



VIEW C



VIEW D



GP8 robot shown.
All dimensions are metric (mm) and for reference only.
Request detailed drawings for all design/engineering requirements.

SPECIFICATIONS

Axes	Maximum motion range		Maximum speed		Allowable moment		Allowable moment of inertia	
	degrees		°/sec		N·m		kg·m ²	
	GP7	GP8	GP7	GP8	GP7	GP8	GP7	GP8
S	±170	±170	375	455	-	-	-	-
L	+145/-65	+145/-65	315	385	-	-	-	-
U	+190/-70	+190/-70	410	520	-	-	-	-
R	±190	±190	550	550	17	17	0.5	0.5
B	±135	±135	550	550	17	17	0.5	0.5
T	±360	±360	1000	1000	10	10	0.2	0.2

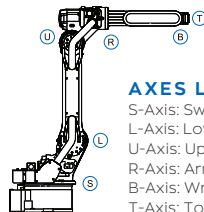
Mounting Options: Floor, Wall, Tilt or Ceiling

* The MLX300 software option is not available for use with arc or spot welding applications. MLX300 fieldbus cards, I/O cards and vision equipment must be purchased separately from the supplier. All peripherals are programmed using a PLC.

Item	Unit	GP7	GP8
Controlled axes		6	6
Maximum payload	kg	7	8
Repeatability	mm	0.01	0.01
Horizontal reach	mm	927	727
Vertical reach	mm	1,693	1,312
Weight	kg	34	32
Internal user I/O cable		17 conductors (+ ground)	
Internal user air line		(2) 1/4" connection	
Power requirements		Three-phase 380-480 VAC 50/60 Hz Single-phase or three-phase 200-230 VAC 50/60 Hz	
Power rating	kVA	1	1

OPTIONS

- Robot risers and base plates
- MotoSight™ 2D and 3D vision systems
- PLC integration via MLX300 software option*



AXES LEGEND

- S-Axis: Swivel Base
- L-Axis: Lower Arm
- U-Axis: Upper Arm
- R-Axis: Arm Roll
- B-Axis: Wrist Bend
- T-Axis: Tool Flange

YASKAWA

YASKAWA AMERICA, INC. 100 Automation Way | Miamisburg, OH 45342
937.847.6200 | motoman.com

Technical specifications subject to change without notice. | Motoman is a registered trademark.
All other marks are the trademarks and registered trademarks of Yaskawa America, Inc.
DS-866 ©2021 Yaskawa America, Inc. JANUARY 2021