

SLZ02

- Wall Mounting Set (2 pieces)



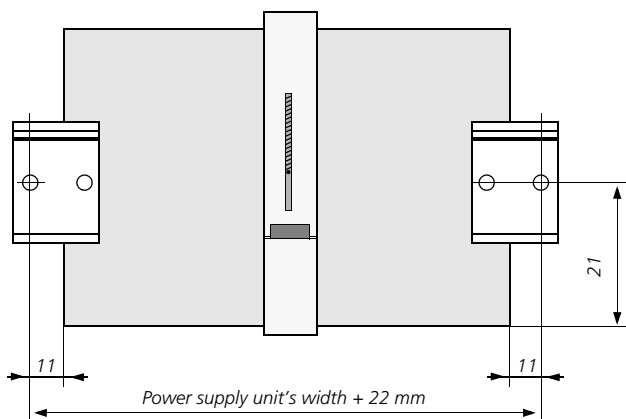
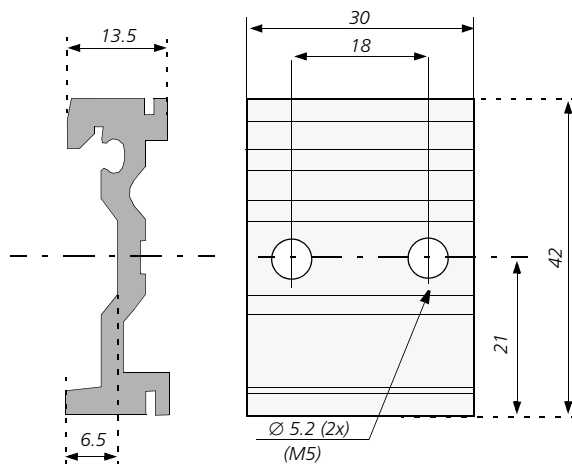
Data sheet

Instead of snapping a SilverLine unit onto the DIN-rail, you also can screw it on a surface by means of the wall mounting set SLZ02. This set consists of two aluminum profiles which replace the existing profiles at the back of the unit.

Notes:

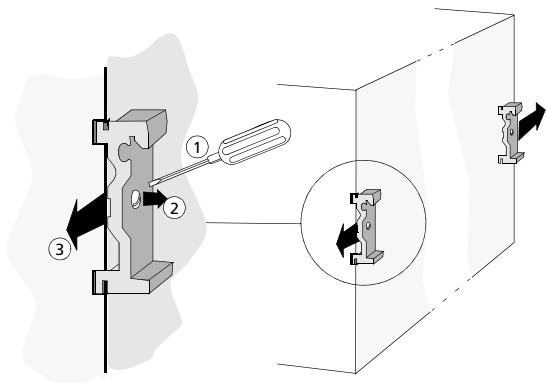
- Each power supply requires one SLZ02 and two mounting screws which are not included in the set (e. g. M5x12 or corresponding sheet-metal screws).

Dimensions

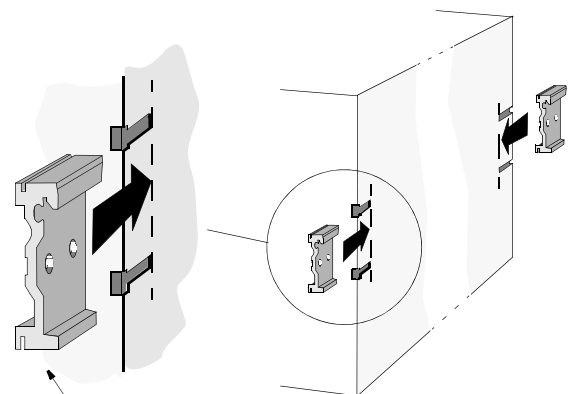


Exchanging the Profiles

- a) At the unit: Remove the screw from the profiles. Pull the profiles outwards to remove.



- b) Push the SLZ02 profiles into the groove as far as possible and firmly screw them down.



Note the orientation:
The profile fits into the groove only as shown here.

Order information

Order number	Description
SLZ02	wall mounting set (contains 2 pcs.)

Your partner in power supply:



PULS GmbH
Arabellastraße 15
D-81925 München
Tel.: +49 89 9278-0
Fax: +49 89 9278-199
www.puls-power.com